

Cadgroup Tech-Tip

Revit Architecture 2010 - What's New

By Dhanjeet Sah : Solutions Engineer



1300 765 654

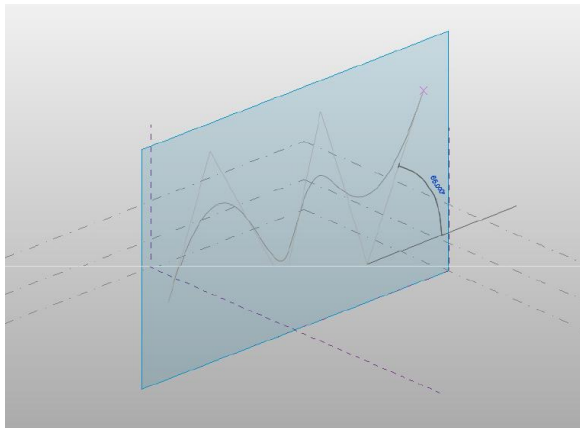
support@cadgroup.com.au

With the Autodesk Revit 2010 release due very soon, the following are some important new enhancements in Revit Architecture 2010. Autodesk Revit Architecture 2010 continues to deliver superior design information to support better design decision-making by introducing new conceptual design features, adding more control and flexibility to existing features, and better utilizing performance and integration. The following are a few of the key features of Autodesk Revit Architecture 2010.

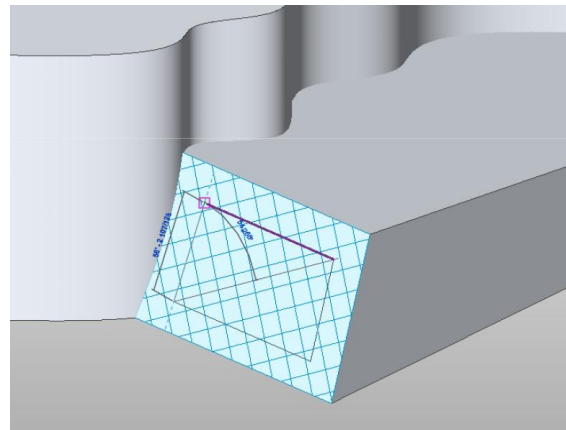
Conceptual Design Tools:

New and innovative Autodesk Revit Architecture 2010 conceptual design features provide easy-to-use tools for free-form modeling and parametric design, and the ability to perform design analyses at the earliest stages of your project. Sketch freely, create 3D forms quickly, and manipulate forms interactively. Prepare your models for fabrication and construction with built-in tools that transform your conceptual forms into real buildings. Take your design from concept model all the way to construction documents, all within one intuitive environment.

Work more freely and intuitively in 3d space:

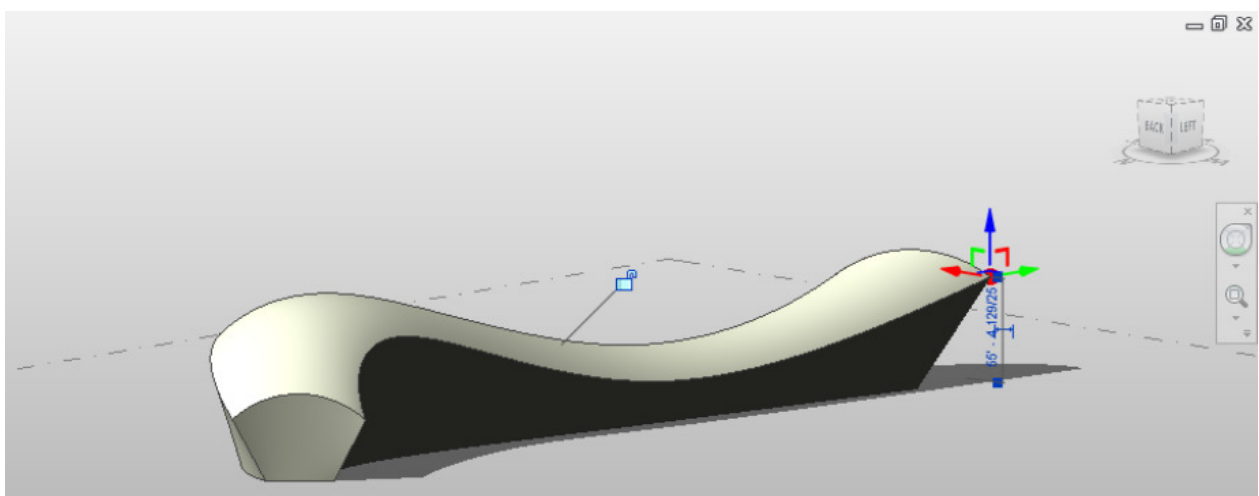


3D levels and reference planes



Automatic work plane detection

Direct manipulation – no more modes, easily add constraints and parameters:



Cadgroup Tech-Tip

Revit Architecture 2010 - What's New

By Dhanjeet Sah : Solutions Engineer

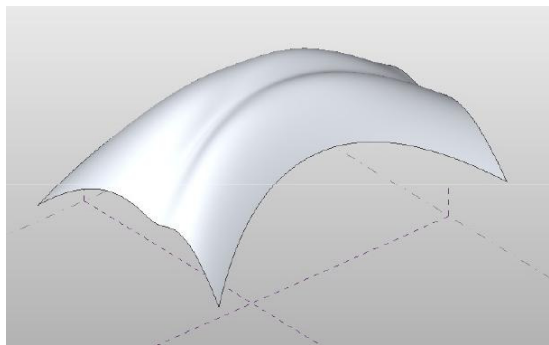
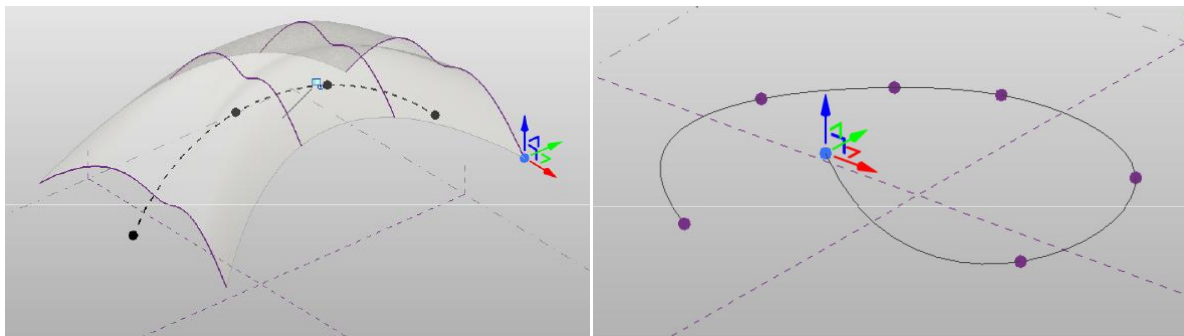


1300 765 654

support@cadgroup.com.au

Intuitive and Flexible Form-making

- Complex surface modeling
- Spline by points
- X-ray mode
- Add edge or profile



Expanded toolset and greater levels of control for your complex modeling challenges.

Divide, Pattern, Panelize.

- Make forms more buildable
- No scripting necessary
- Autodesk Revit Architecture 2010
- Persistent parametric relationships.

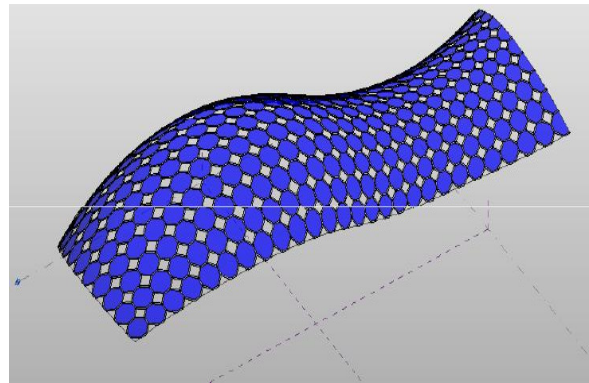
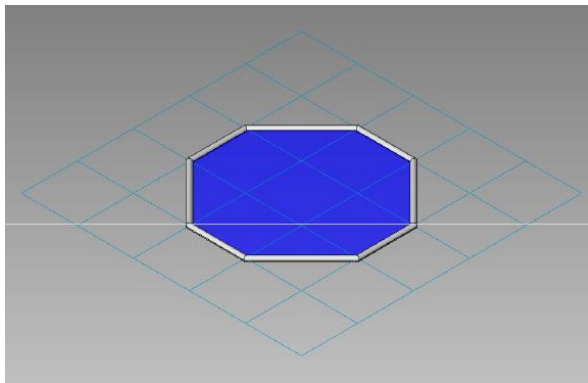
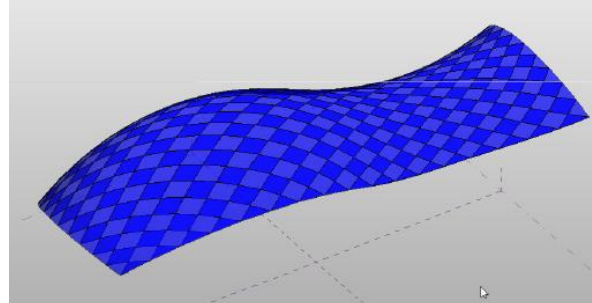
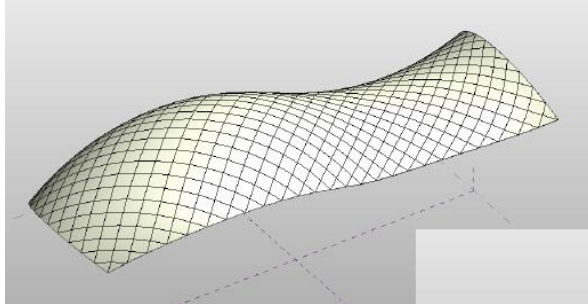
Cadgroup Tech-Tip

Revit Architecture 2010 - What's New

By Dhanjeet Sah : Solutions Engineer



1300 765 654
support@cadgroup.com.au



Divide and pattern your surfaces. Add real building detail for fabrication or construction.

User Interface:

Autodesk Revit Architecture 2010 features a streamlined user interface. Find your favorite tools and commands faster, locate lesser-used tools more efficiently, and discover new features more easily. The result is less time searching through menus and toolbars, and more time getting your work done.

Ribbon

- Task-oriented
- Increased
- Autodesk Revit Architecture 2010 "discoverability"
- Customizable
- Redesigned icons

Cadgroup Tech-Tip

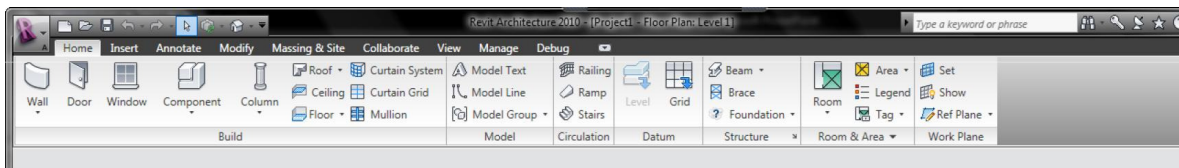
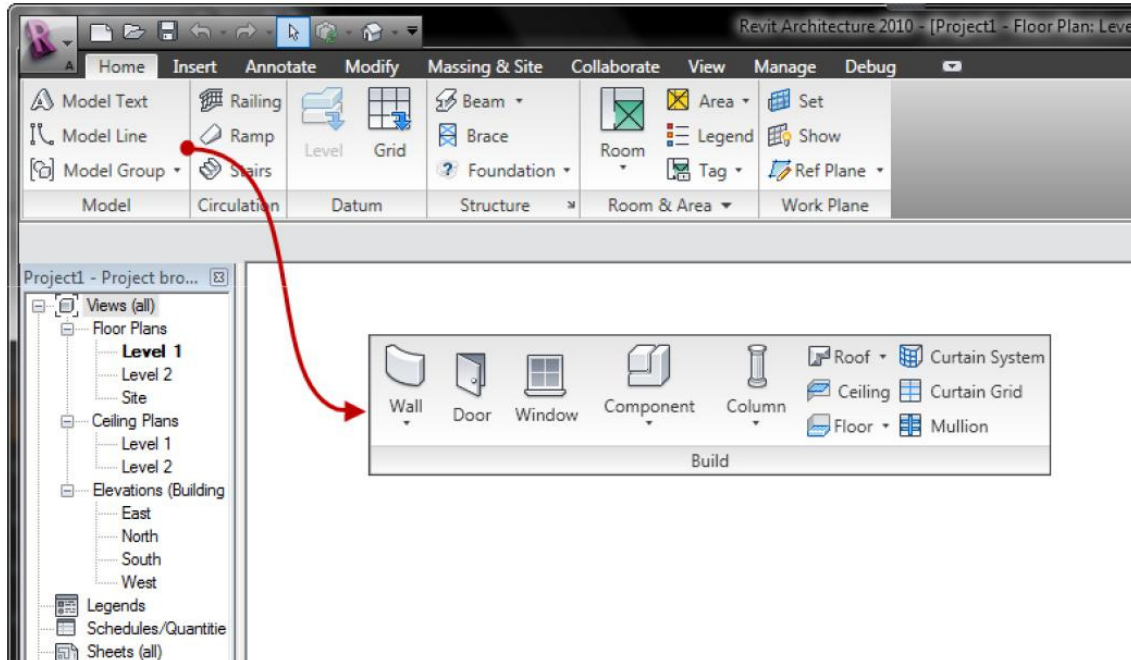
Revit Architecture 2010 - What's New

By Dhanjeet Sah : Solutions Engineer



1300 765 654

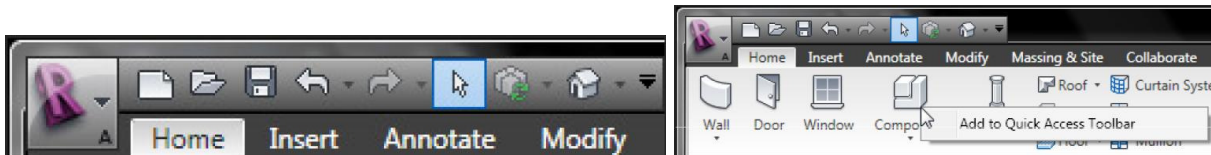
support@cadgroup.com.au



Find your tools more easily and help improve your workflows.

Quick Access Toolbar

- Add commonly used tools
- Easily customizable (via Right+Click)



Faster access to the tools you use most often.

Cadgroup Tech-Tip

Revit Architecture 2010 - What's New

By Dhanjeet Sah : Solutions Engineer

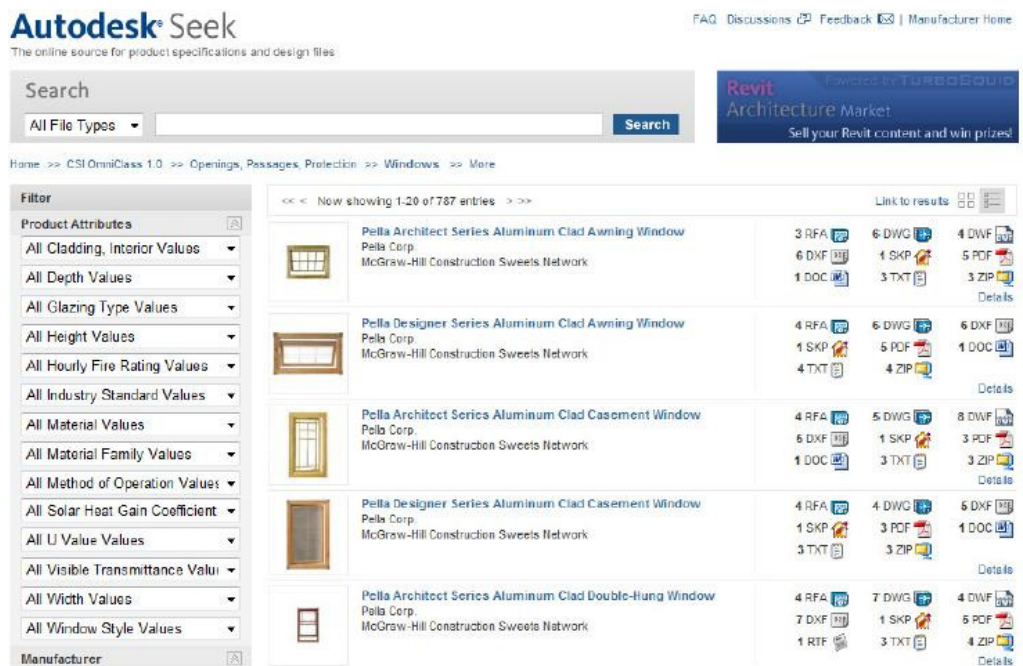
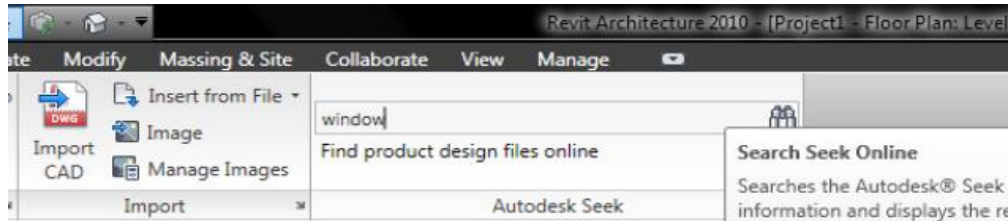


1300 765 654

support@cadgroup.com.au

Enhanced integration with Autodesk® Seek service

- Publish and search
- Add OmniClass™ categories



Access and publish more accurate and intelligent content.

Cadgroup Tech-Tip

Revit Architecture 2010 - What's New

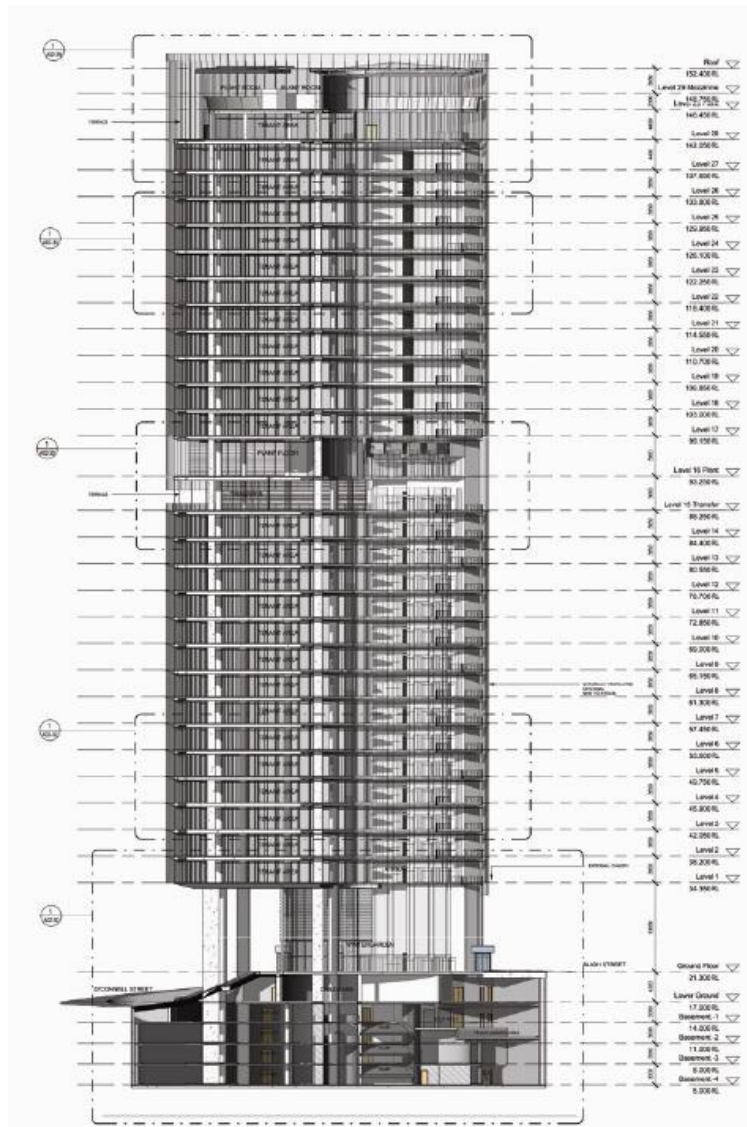
By Dhanjeet Sah : Solutions Engineer



1300 765 654
support@cadgroup.com.au

Native 64-bit Support:

New native 64-bit support enhances Autodesk Revit Architecture 2010 software's ability to handle large projects and improves performance and stability for memory-intensive tasks such as rendering, printing, model upgrading, and file importing and exporting.



Better efficiency, stability, productivity, and performance.

Cadgroup Tech-Tip

Revit Architecture 2010 - What's New

By Dhanjeet Sah : Solutions Engineer



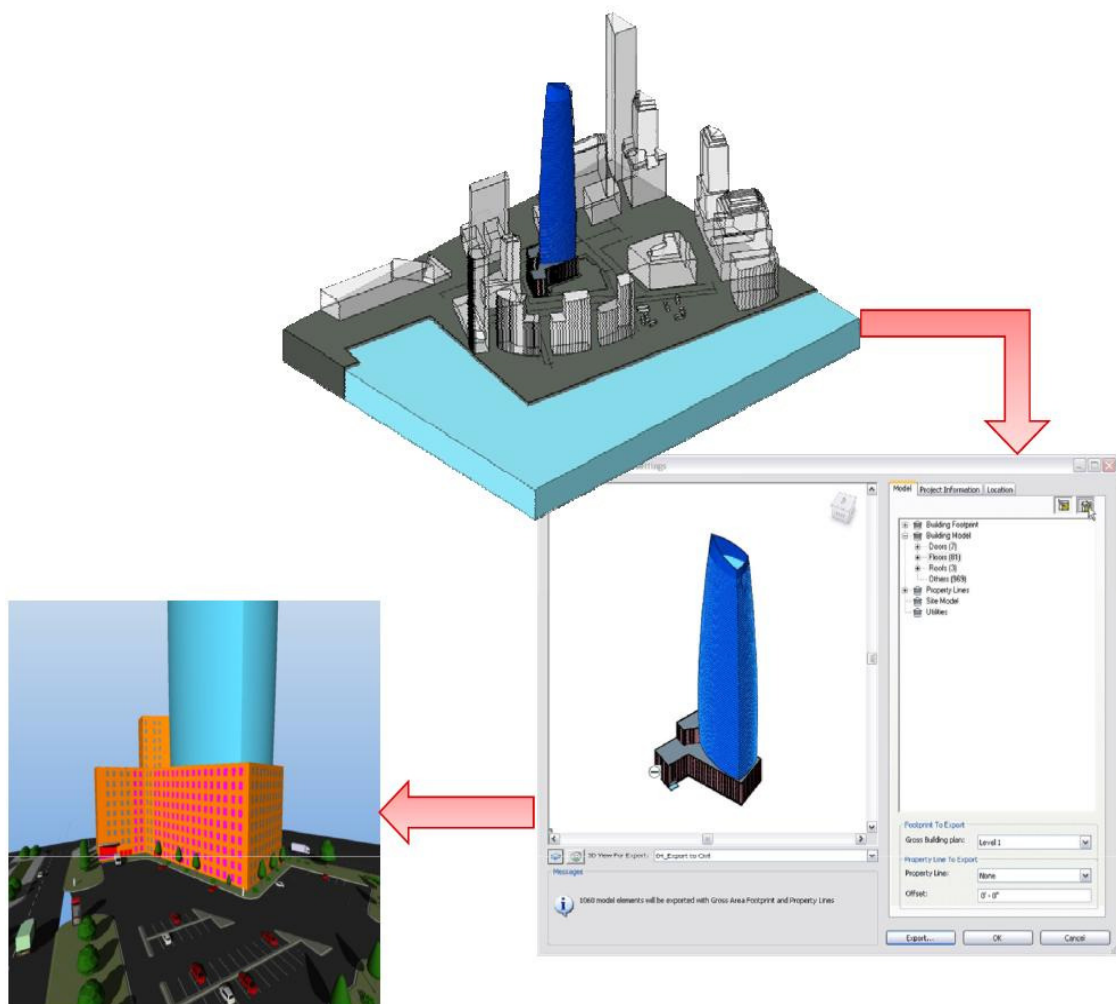
1300 765 654

support@cadgroup.com.au

Enhanced Interoperability: Interoperability enhancements enable you to work more efficiently with members of your extended project team. Now you can export your building model or site, complete with critical metadata, to AutoCAD® Civil 3D® software. You can also import accurate, data-rich models from Autodesk Inventor® software.

Export to AutoCAD Civil 3D Software

- Manage coordinate systems
- More efficient exports
- Model review dialog



Share more efficient and data-rich models with other design professionals.

Cadgroup Tech-Tip

Revit Architecture 2010 - What's New

By Dhanjeet Sah : Solutions Engineer

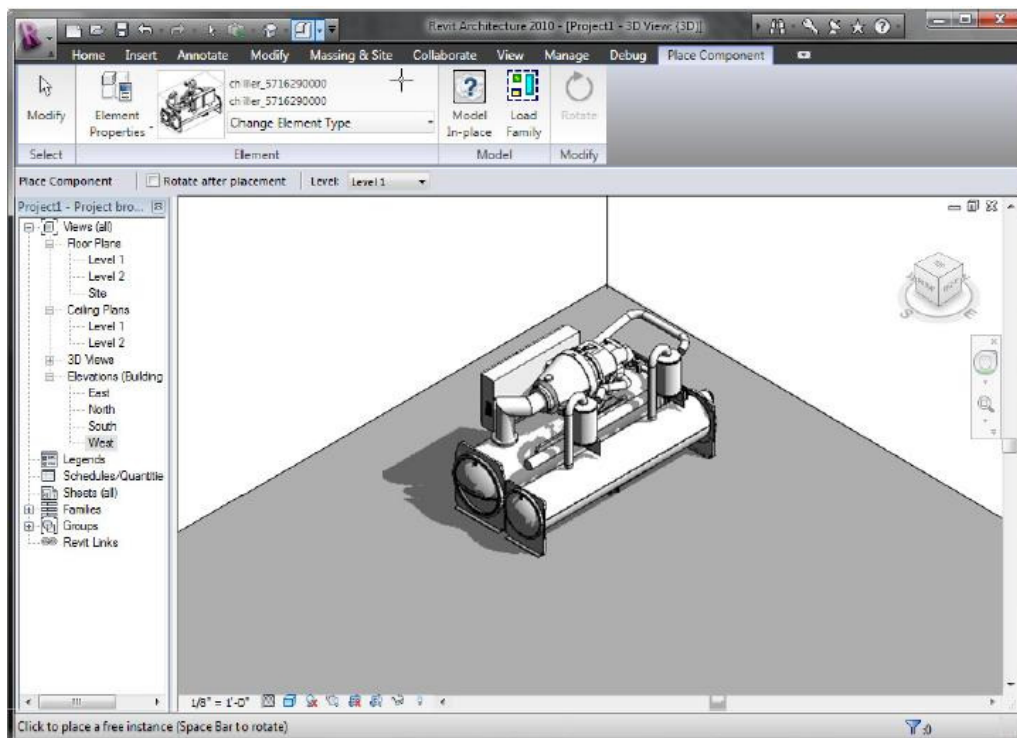


1300 765 654

support@cadgroup.com.au

Import Content From Autodesk® Inventor® Software

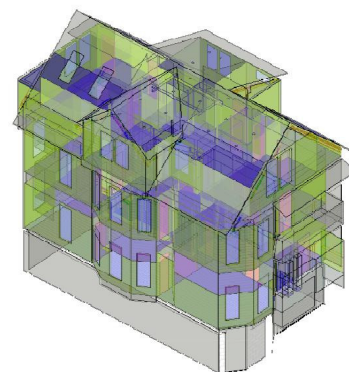
- Access to more accurate manufactured content
- Parametric data is preserved
- Add additional connectors to import
- Control level of detail



Enhanced data exchange between design professionals.

gbXML Improvements

- Analytical model preview
- Isolate individual rooms
- Color coding of analytical surfaces
- Review room warnings
- Define energy data and project information



Save time and help reduce errors downstream.

Cadgroup Tech-Tip

Revit Architecture 2010 - What's New

By Dhanjeet Sah : Solutions Engineer



1300 765 654

support@cadgroup.com.au

API Enhancements: The conceptual design API (application programming interface) gives users access to advanced modeling techniques and workflows, using complex formulas and other techniques. The family editor API will allow manufacturers to automate the creation of large content libraries, so that they can provide architects, engineers, and designers with more accurate and relevant native Autodesk Revit Architecture content.

API Enhancements

- Expanded API (application programming interface)
- Conceptual design API
- Family API



Enhanced support from an extended network.

Cadgroup Tech-Tip

Revit Architecture 2010 - What's New

By Dhanjeet Sah : Solutions Engineer



1300 765 654

support@cadgroup.com.au

Summary:

Conceptual Design Enhancements

- New and innovative conceptual design features provide easier-to-use tools for freeform modeling and parametric design, and the ability to support the earliest design analyses.
- Sketch freely, create 3D forms more quickly and manipulate forms interactively. Prepare models for fabrication and construction with built-in tools for conception and clarification of complex forms. New tools to divide, pattern and panelize designs make forms more buildable.
- Autodesk Revit Architecture automatically builds a parametric framework around your most complex forms as you continue to design, offering you greater levels of creative control, accuracy and flexibility.
- Users can now take designs from concept model all the way to construction documents within one intuitive environment and user interface.

Improved User Interface

- New streamlined user interface helps users find favorite tools and commands faster, locate lesser-used tools more efficiently and discover new features more easily.
- Customizable Quick Access Toolbar allows one-click access to a user's favourite and most frequently used tools.
- The ribbon feature is organized around the way designers work, enabling users to find the tools to accomplish tasks without searching all over the user interface.
- Consistent user interfaces between most Autodesk software applications allows users to move between programs more smoothly.

Performance and Interoperability

- New native 64-bit support enhances the software's ability to handle large projects and improve performance and stability for memory-intensive tasks such as rendering, printing, model upgrading and file importing and exporting.
- Expanded API (application programming interface) support.
- Export to AutoCAD® Civil 3D® software and import from Autodesk® Inventor®, while preserving parametric data.
- gbXML (green building XML) improvements allow users to help streamline the collaboration process with external analysis applications.