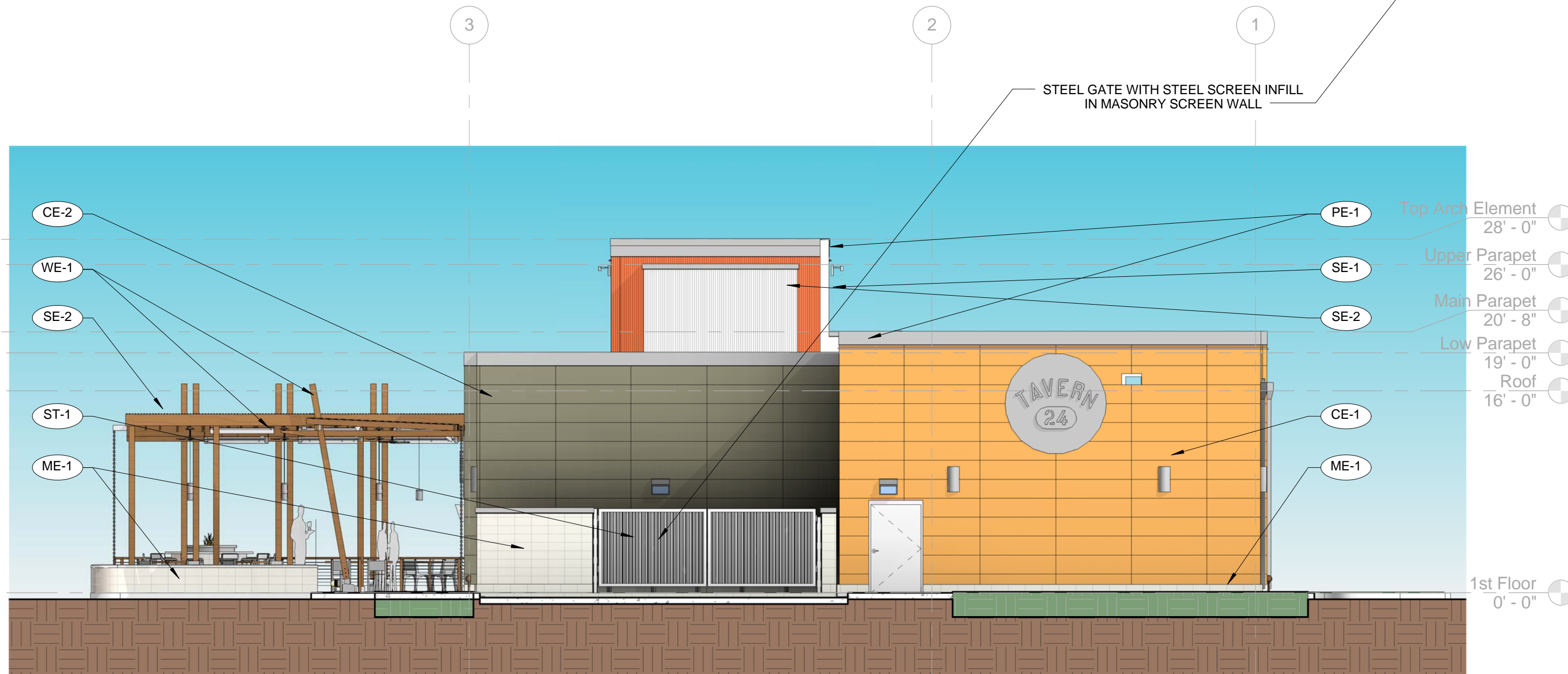
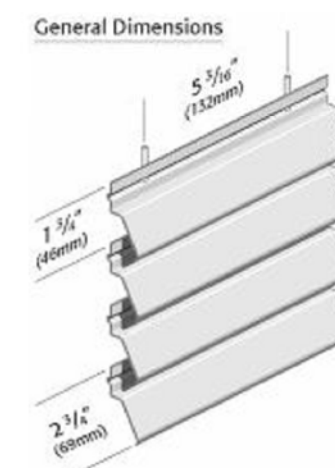




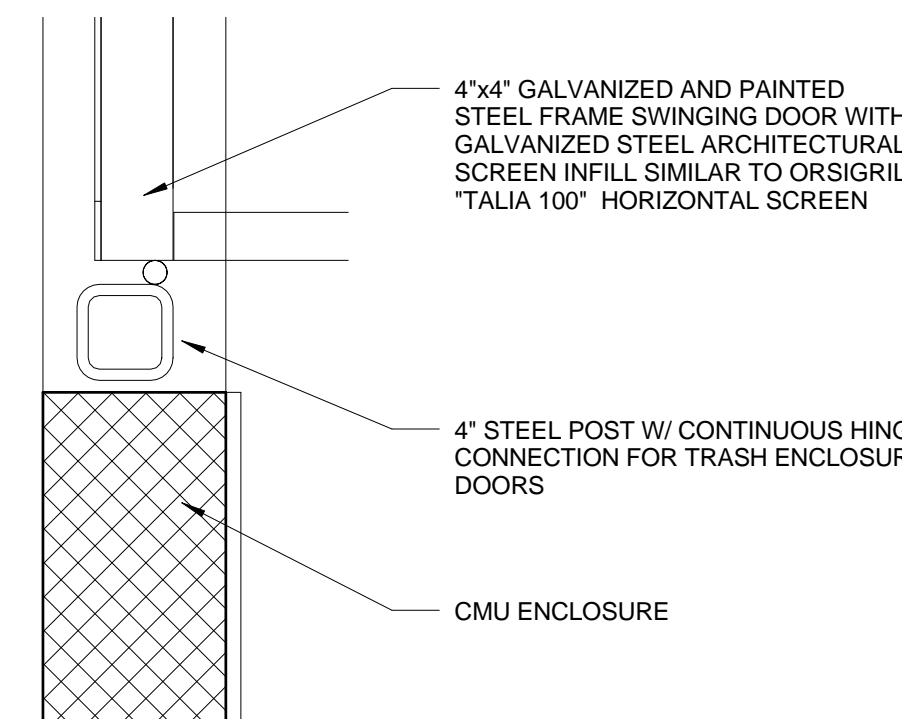
2 South Elevation
1/8" = 1'-0"



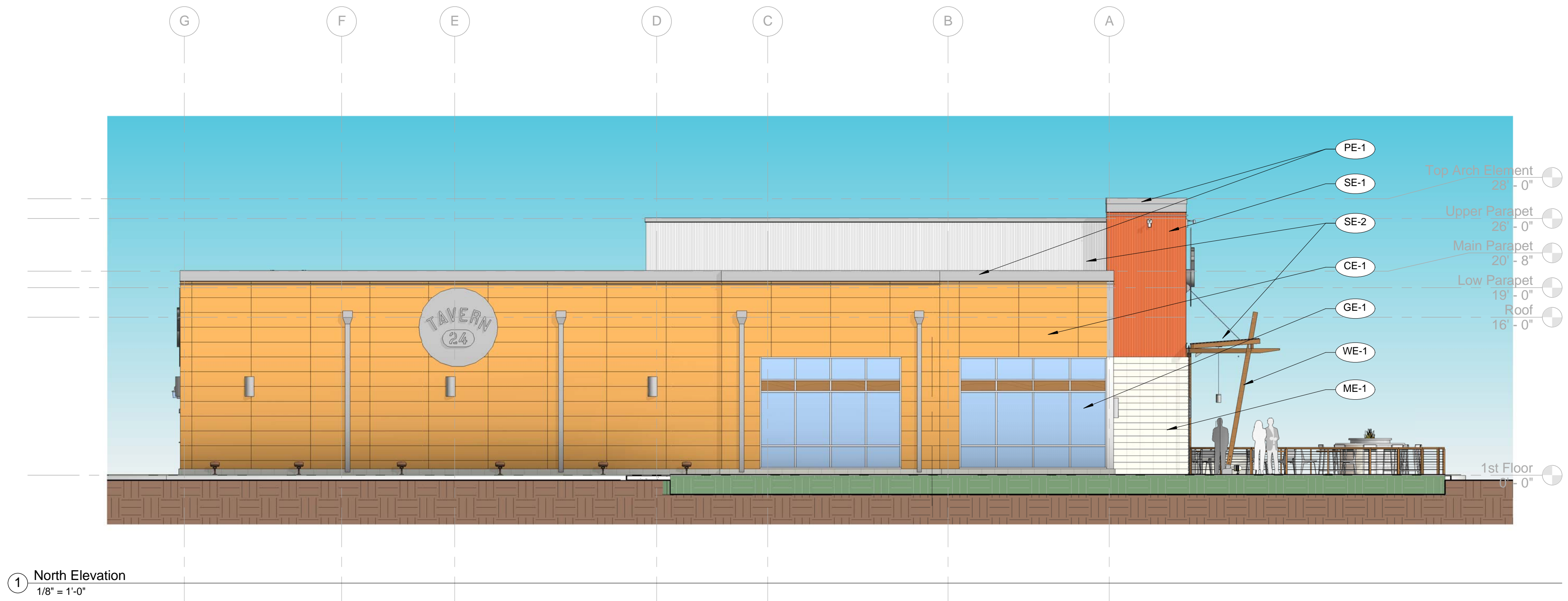
1 East Elevation
1/8" = 1'-0"



ORSIGRIL TAGLIA 100
OPTIMUM AIR FLOW AND MAXIMUM
VISUAL BLOCKAGE



3 PLAN DETAIL @ TRASH ENCLOSURE
1 1/2" = 1'-0"



① North Elevation
1/8" = 1'-0"



② West Elevation
1/8" = 1'-0"